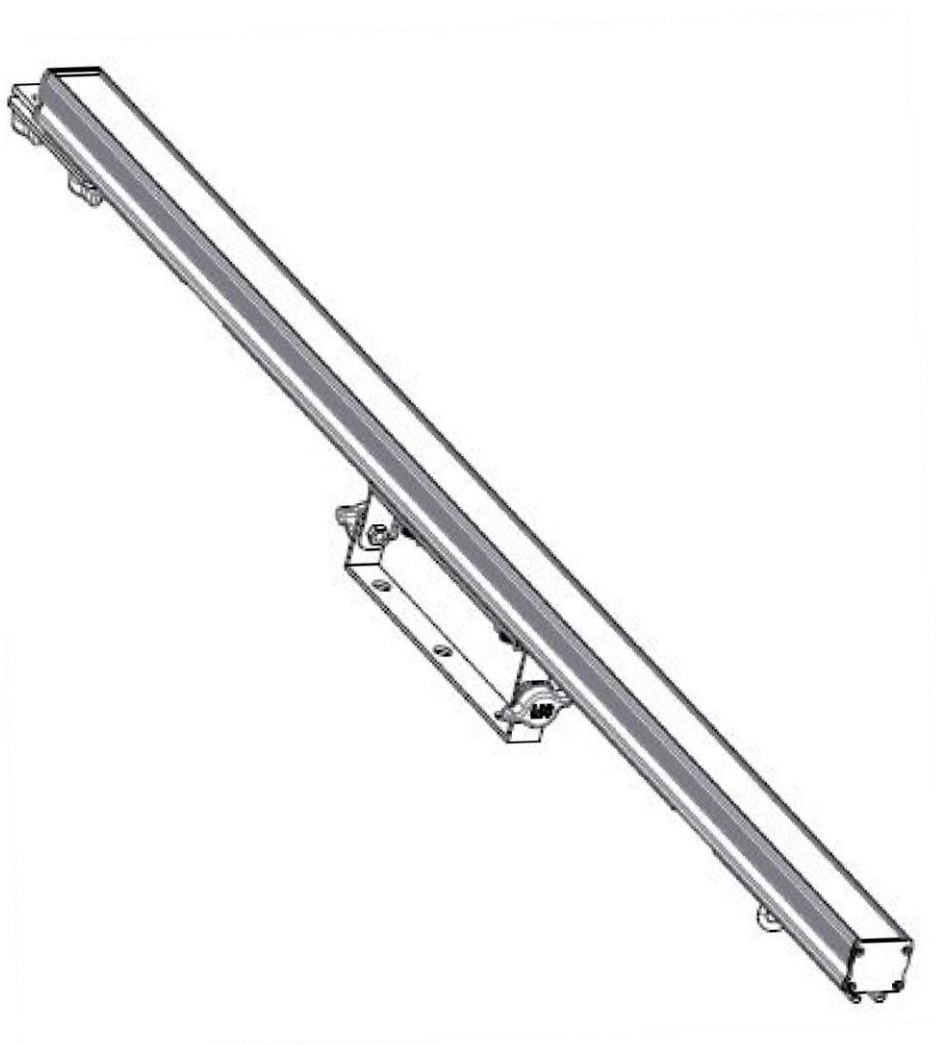


**S** [www.slservice.pl](http://www.slservice.pl)  
**LIGHTING**

# S-STRIP



## Safety Notes :

Read all the following Safety Notes before working with this product. These notes include important information about the installation, usage, and maintenance of this product.



This icon indicates critical installation, configuration, or operation information. Failure to comply with this information may render the fixture partially or completely inoperative, damage third-party equipment, or cause harm to the user.



There are no user-serviceable parts in this product. Any reference to servicing in this guide applies only to properly certified technicians. Do not open the housing or attempt any repairs



This icon indicates useful, although non-critical information

Please refer to all applicable local codes and regulations for proper installation of this product.

- Always disconnect this product from its power source before servicing.
- Always connect this product to a grounded circuit to avoid the risk of electrocution.
- Do not touch this product's housing during operation because it may be very hot.
- Do not operate this product if you see damage on the housing, lenses, or mounting bracket. Have any damaged parts replaced by a certified technician at once. In the unlikely event that your product may require service, contact Technical Support.
- Do not cover the ventilation slots when operating to avoid internal overheating.
- The maximum ambient temperature is 104 °F (40 °C). Do not operate this product at a higher temperature.
- In case of a serious operating problem, stop using this product immediately!

## Product Description:

The S-STRIP is a near-effortless pixel mapping one-meter strip that combines to make a system that sets up in minutes with minimal technical knowledge. Controlled by the led dream color strip controller using Art-Net™ or ArKaos Kling-Net or DMX, the led dream color strip intuitively configures images and effects in any orientation and eliminates the hassle of pixel-by-pixel programming.

When combined with other dream color products to create multiple configurations and displayed in any orientation on a mounting structure, the entire design is transformed into a dynamic low-resolution display.

## What Is Included:

Once you receive the product, carefully open the package and make sure all the pieces included are in good condition. The following items should be included in the package:

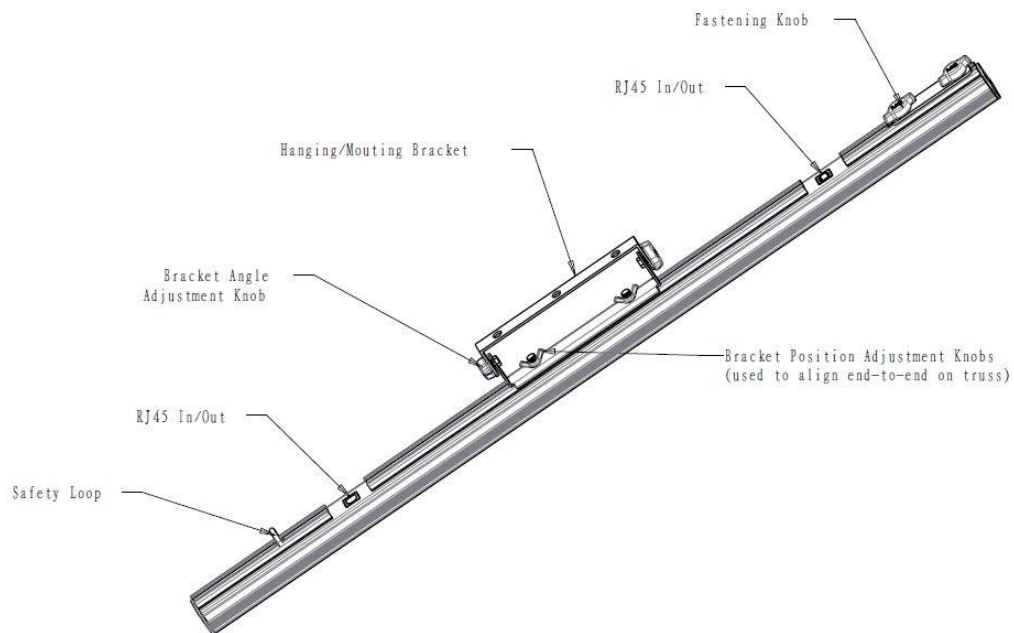
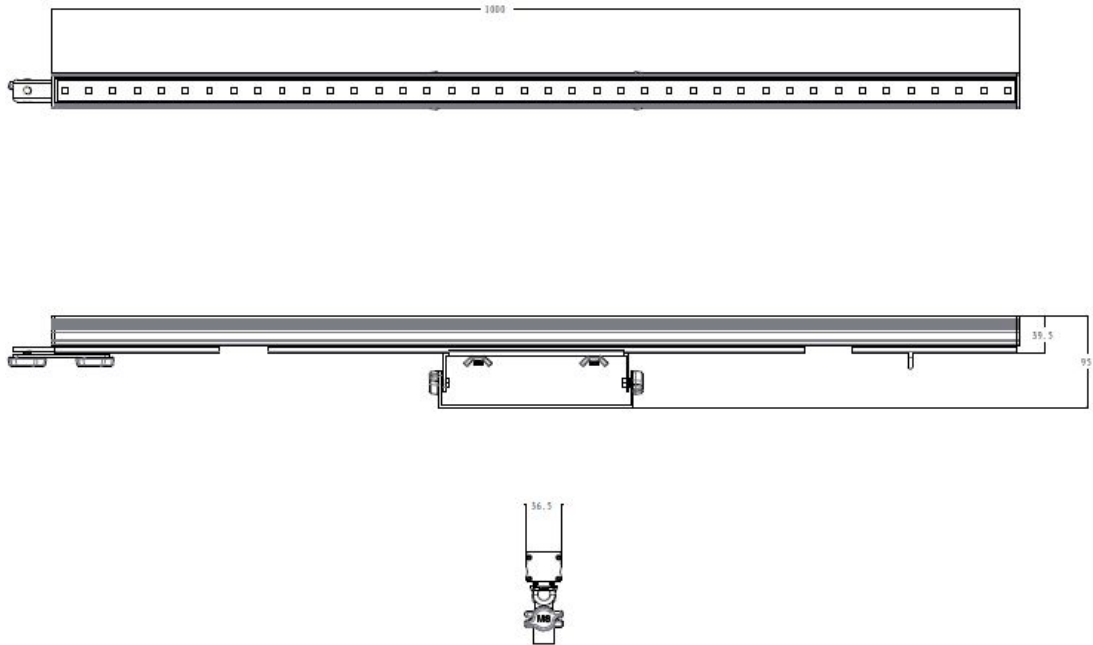
- S-LIGHTING S-STRIP
- S-LIGHTING S-CONTROLLER Box
- Quick Reference Guide



If there are any missing pieces, please contact the local dealer where you purchased the product.

S-LIGHTING S-STRIP  
Product Dimensions:

EN



## Installation Procedure:

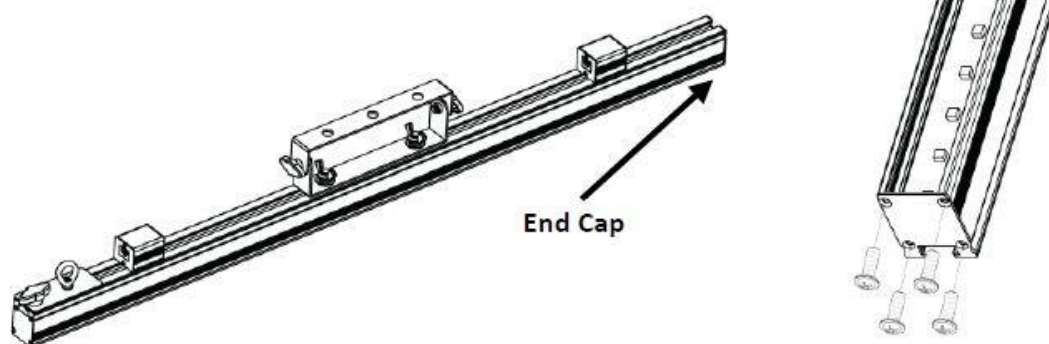
Before installing any product, you should completely read through the guide that was shipped with the product.

1. Carefully remove all items from the package and install on a secure foundation.
2. Connect the S-Strip to the output of the strip controller using a standard Ethernet cable.

## Clear/Frost Filter Installation

The S-Strip includes a pre-installed frost filter. Follow the procedure below to install the included clear filter.

1. Locate the end cap of the product that does not have the connecting hardware.
2. Remove the 4 screws from the end cap of the product.
3. Slide out and remove the installed filter.
4. Slide in the desired filter.
5. Re-install the end cap.



**Be sure to install the frost filter with the shiny side facing toward the LEDs.**

## **Mounting :**

The S-Strip comes with an adjustable mounting bracket and safety loop. The mounting bracket has three 13-mm holes used to attach a clamp directly to the product's adjustable bracket, and serves as support for either mounting on the floor or on the wall. The safety loop is used to attach a safety cable.

## **Mounting Guidelines**

We recommends using the following guidelines when mounting this product:

- Before deciding on a location, always make sure there is easy access to the product for maintenance and programming.
- Make sure that the structure or surface onto which you are mounting the product can support the product's weight (see the Technical Specifications).
- When mounting the product overhead, always use a safety cable. Mount the product securely to a rigging point, such as an elevated platform or a truss.
- When rigging the product onto a truss, you should use a mounting clamp of appropriate weight capacity.
- The bracket adjustment knobs allow for directional adjustment when aiming the product to the desired angle. Only loosen or tighten the bracket knobs manually. Using tools could damage the knobs.
- When mounting the product on the floor, make sure that the product and cables are away from people and vehicles.

## **Mounting Instructions:**

1. Attach the clamp to the mounting bracket.
2. Attach the clamp to the desired structure or surface.
3. Attach a safety cable to the product's safety loop.

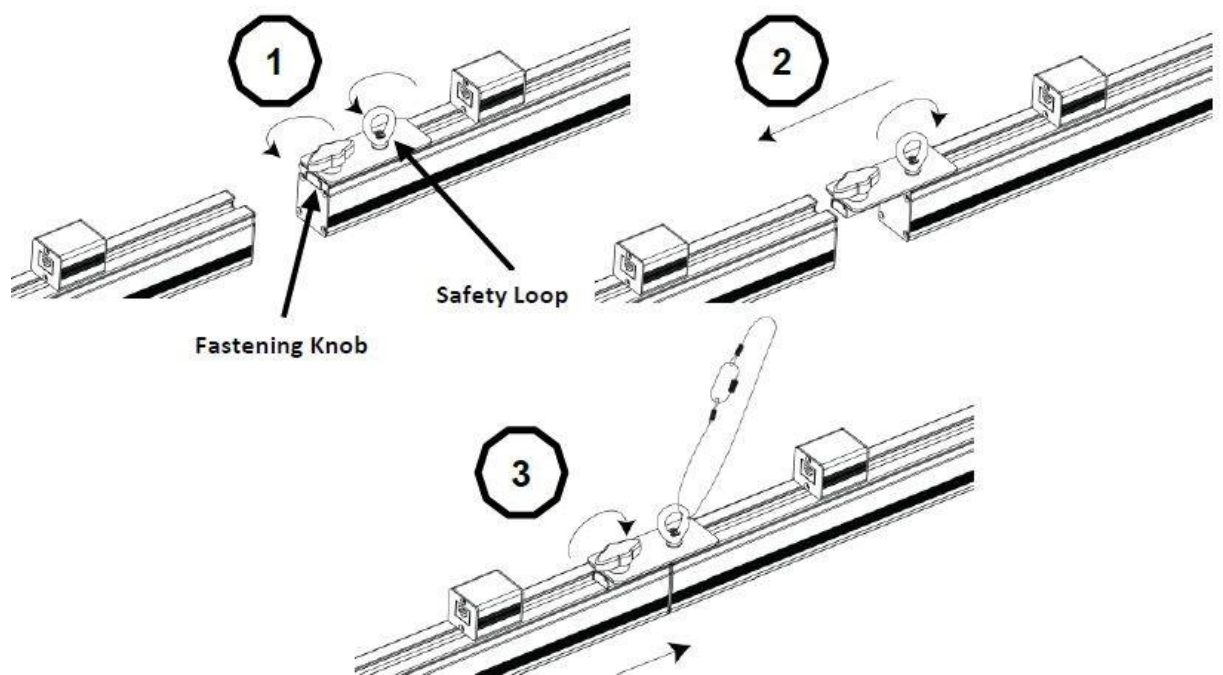
**Series Attachment Instructions**

The S-Strip can be attached in an end-to-end formation to create a strip up to 4 meters long from just one rigging point.



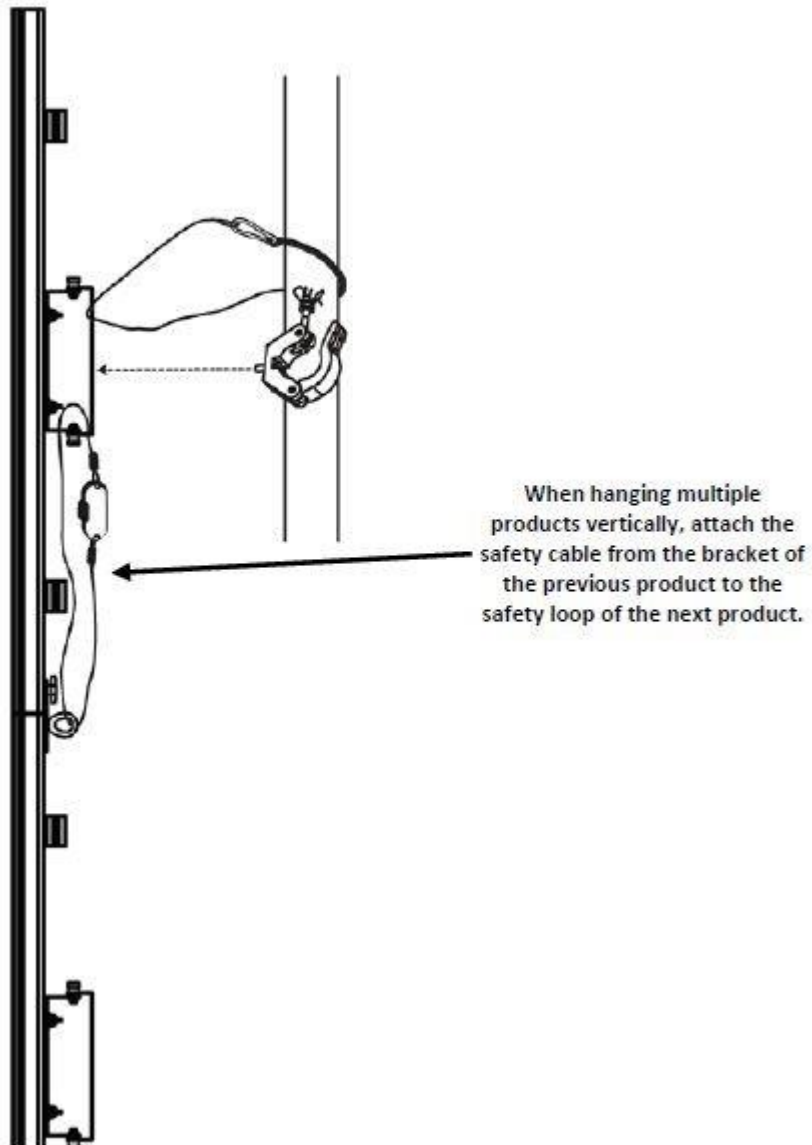
**Do not connect more than a total of 4 strips in a row when hanging vertically.**

1. Loosen the safety loop and fastening knob.
2. Slide the connecting bracket out till it stops and tighten the safety loop.
3. Slide the 2<sup>nd</sup> Strip into the connecting bracket and tighten the fastening knob, then attach the safety cable.



**Be sure to install the safety cable last when attaching the products in series.**

**Series Attachment Instructions (Cont.)**

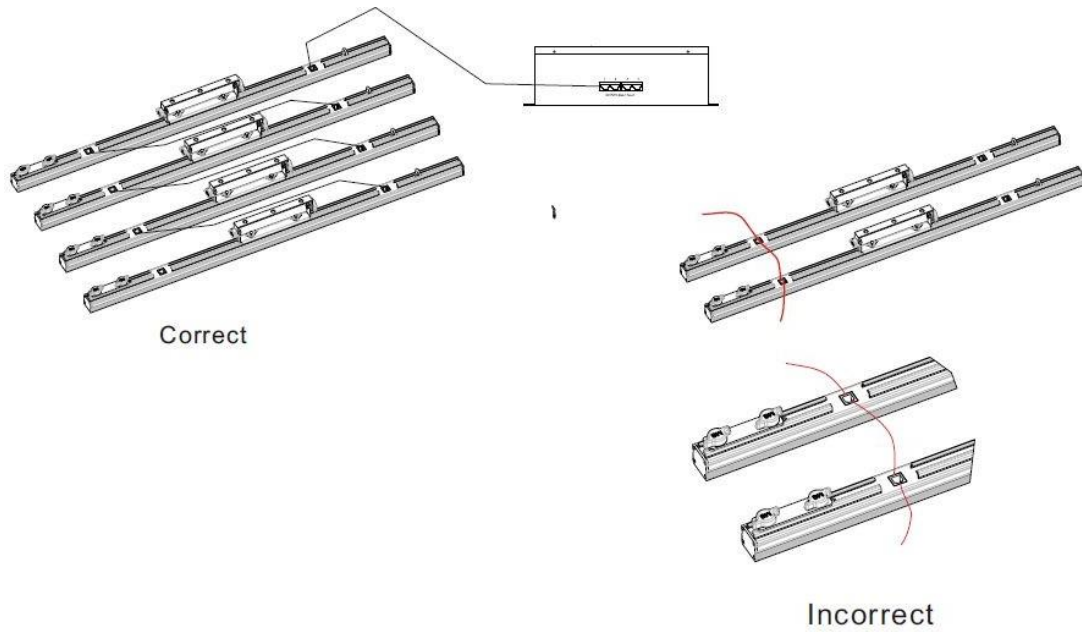


**ⓘ** Never attach more than 3 products from the initial product when hanging vertically.



**Power/Signal Connection Procedure:**

The Strip 1.0 uses an RJ45 connection to link all ports. Each strip can be linked from end-to-end never exceeding a total of 16 strips for each daisy chain. The following diagram illustrates how to configure the data connections.

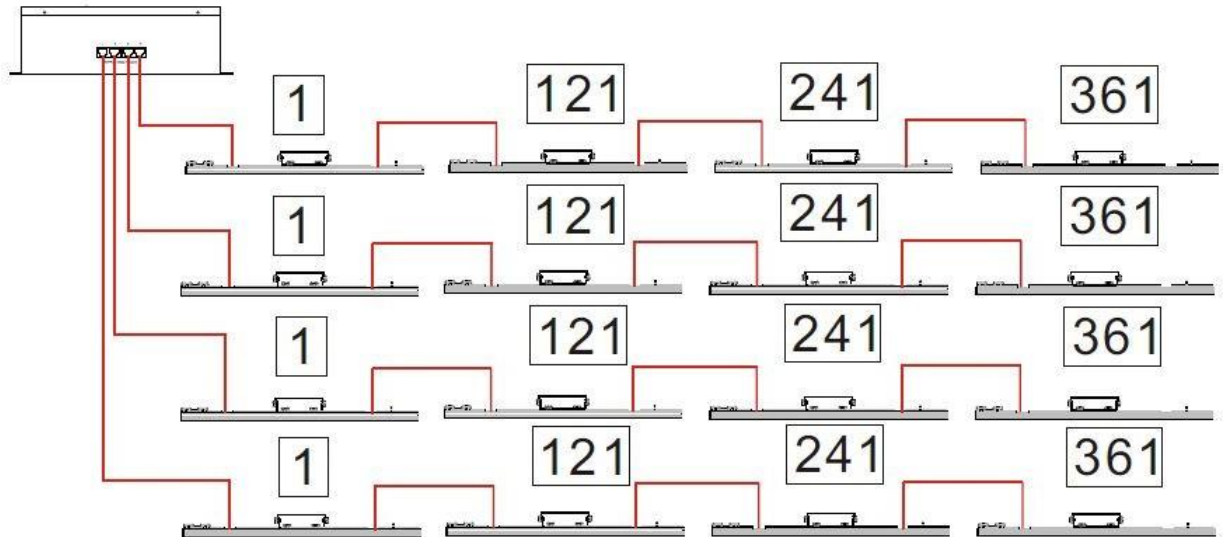


### Addressing Of Each Output When Using Art-Net™

When using Art-Net™, set the addressing for each of the 16 outputs of the strip controller , including: **Net**, **Sub-net**, and **Universe 1–4**.

If you are using 16 Strip products on a single output, the starting channel should remain at **1**.

In the order of connection, outward from the controller, each Strip will automatically have the following Art-Net™address: 1, 121, 241, 361.



### Product Maintenance

To maintain optimum performance and minimize wear, you should clean this product frequently. Usage and environment are contributing factors in determining the cleaning frequency.

As a rule, clean this product at least twice a month. Dust build-up reduces light output performance and can cause overheating. This can lead to reduced light source life and increased mechanical wear.

Cleaning the Strip 1.0:

1. Unplug the product.
2. Wait until the product is at room temperature.
3. Use a vacuum (or dry compressed air) and a soft brush to remove dust collected on the external vents.
4. Clean all external surfaces with a mild solution of non-ammonia glass cleaner or isopropyl alcohol.
5. Apply a solution directly to a soft, lint-free cotton cloth or a lens cleaning tissue.



**Wipe any dirt or grime to the outside edge of the surface. Gently polish the surfaces with the lint-free cotton cloth or lens cleaning tissue until they are free of haze and lint. Always dry the external surfaces carefully after cleaning them.**

### **Expected LED Lifespan**

LEDs gradually decline in brightness over time, mostly because of heat. Packaged in clusters, LEDs exhibit higher operating temperatures than in ideal, single LED conditions. For this reason, using clustered LEDs at their fullest intensity significantly reduces the LEDs' lifespan. Under normal conditions, this lifespan can be 40,000 to 50,000 hours.

If extending this lifespan is vital, lower the operating temperature by improving the ventilation around the product and reducing the ambient temperature to an optimal operating range. In addition, limiting the overall projection intensity may also help to extend the LED's lifespan.

## Technical Specifications

Control Protocol: Art-Net, Kling-Net, DMX

Art-Net & DMX Channels: 120/8

Light Source: 40 LEDs (tri-color) SMD 5050,50,000 hours life expectancy

Pixels: 40 x 1

Pixel Pitch: 25 mm

PWM Frequency: free-run 600hz

Viewing Angle: 120°

Illuminance: 1174 NITS (clear filter),  
828 NITS (frosted filter)

IP Rating: IP20

Linking: 16 inline Strip 1.0

Power and Current: 20 W, 0.11 A @ 120 V, 60Hz

Power and Current: 33 W, 0.04 A @ 208 V, 60Hz

Power and Current: 39 W, 0.03 A @ 230 V, 50Hz

Weight: 4.4 lb (2 kg)

Dimensions: 39.4 x 1.4 x 4.6 in(1000 x 37 x 95 mm)

Controller (required): Strip controller

Approvals: CE, RoHS